

1


# EXISTING FLOOR PLAN

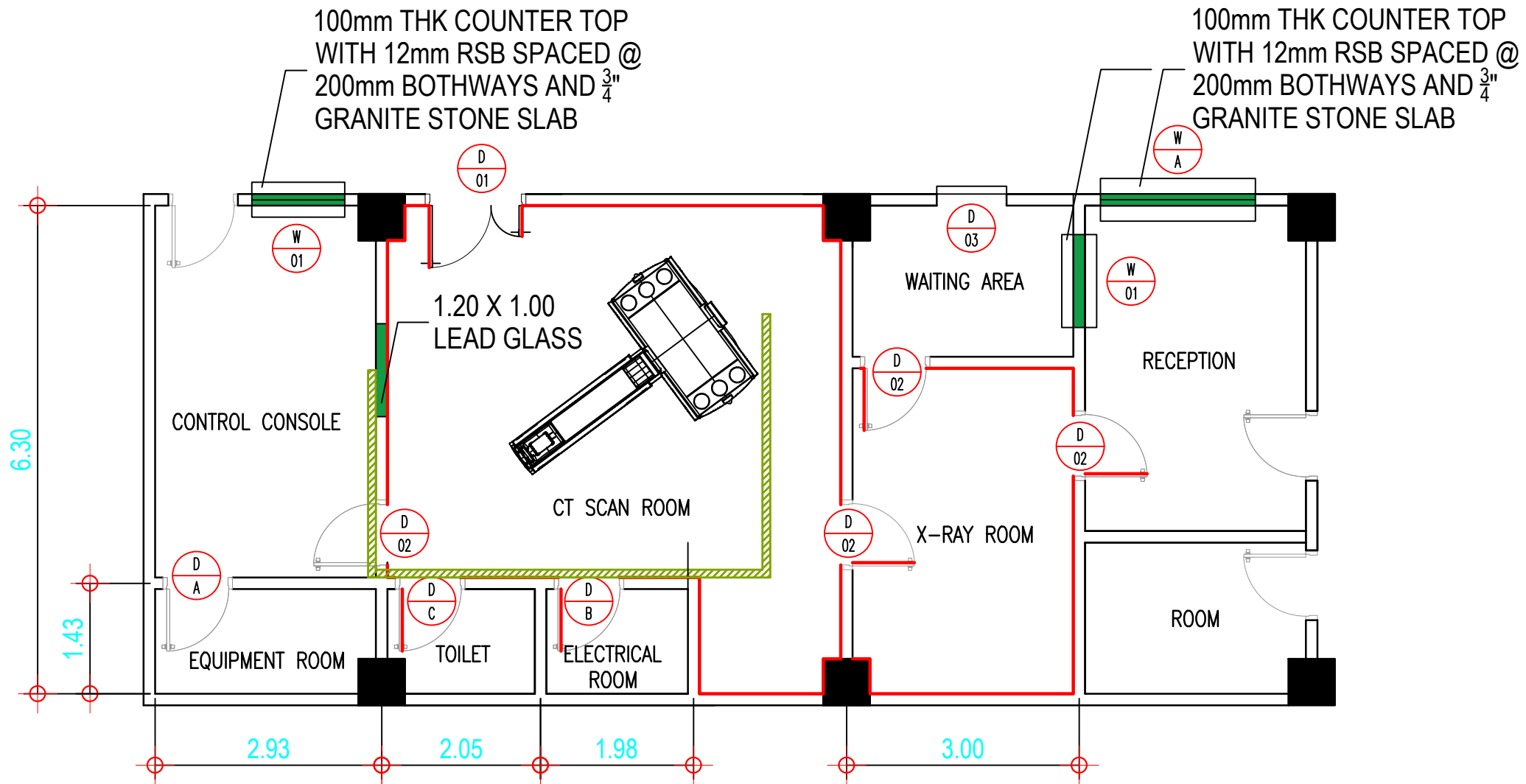
NOT TO SCALE



DEMOLITION OF CONCRETE FLOOR FOR THE CABLE RUNWAY

VERIFY FOR THE DEMOLITION OF FLOOR AND EXCAVATION FOR THE WALL FOOTING

 <p>Republic of the Philippines Center for Health Development No. 2</p> <p><b>REGION II</b> <b>TRAUMA AND MEDICAL CENTER</b> Bayombong, Nueva Vizcaya Philippines 3700 Tel/Fax (078) 855-3560 Tel No. (078) 855-3561-64</p>	<p><b>PREPARED BY</b></p> <p>ENGR. JOHN LESTER G. SAGUIPED</p> <p>COS - CIVIL ENGINEER</p>	<p>RA 9296 Drawings and specifications and other contract documents duly signed, stipulated or sealed, the instruments of service, as the intellectual property and documents of the architect, whether the object for which they are made is conceived or not, shall be useful for any person to duplicate or make copies of said documents for use in the repetition of and for other projects or buildings, whether executed partly or in whole, without the written consent of the architect or author of said documents.</p>	<p><b>PROJECT</b></p> <p>RENOVATION OF OPD RADIOLOGY</p> <p><b>LOCATION</b></p> <p>REGION II TRAUMA AND MEDICAL CENTER</p>	<p><b>END-USER</b></p> <p>MAY JOY N. ROSENDO, MD, DPBR</p> <p>HEAD, RADIOLOGY DEPARTMENT</p>	<p><b>CHECKED BY</b></p> <p>ENGR. CHARLIE G. HERMOSO, JR.</p> <p>ENGINEER III</p>	<p><b>CONCURRED BY</b></p> <p>ENGR. JAMES A. PANGANIBAN</p> <p>ENGINEER IV</p>	<p><b>RECOMMENDING APPROVAL</b></p> <p>EDITHA V. AGUINALDO, MPA, MBA</p> <p>CHIEF ADMINISTRATIVE OFFICER</p>	<p><b>APPROVED</b></p> <p>RAY P. SUANDING, MD, MHA, FPCC, FPCCP</p> <p>MEDICAL CENTER CHIEF II</p>	<p><b>SHEET</b></p> <p>A 1</p> <p>CADD by : Checked by : DATE :</p>
---	--	---	--	--	---	--	--	--	---




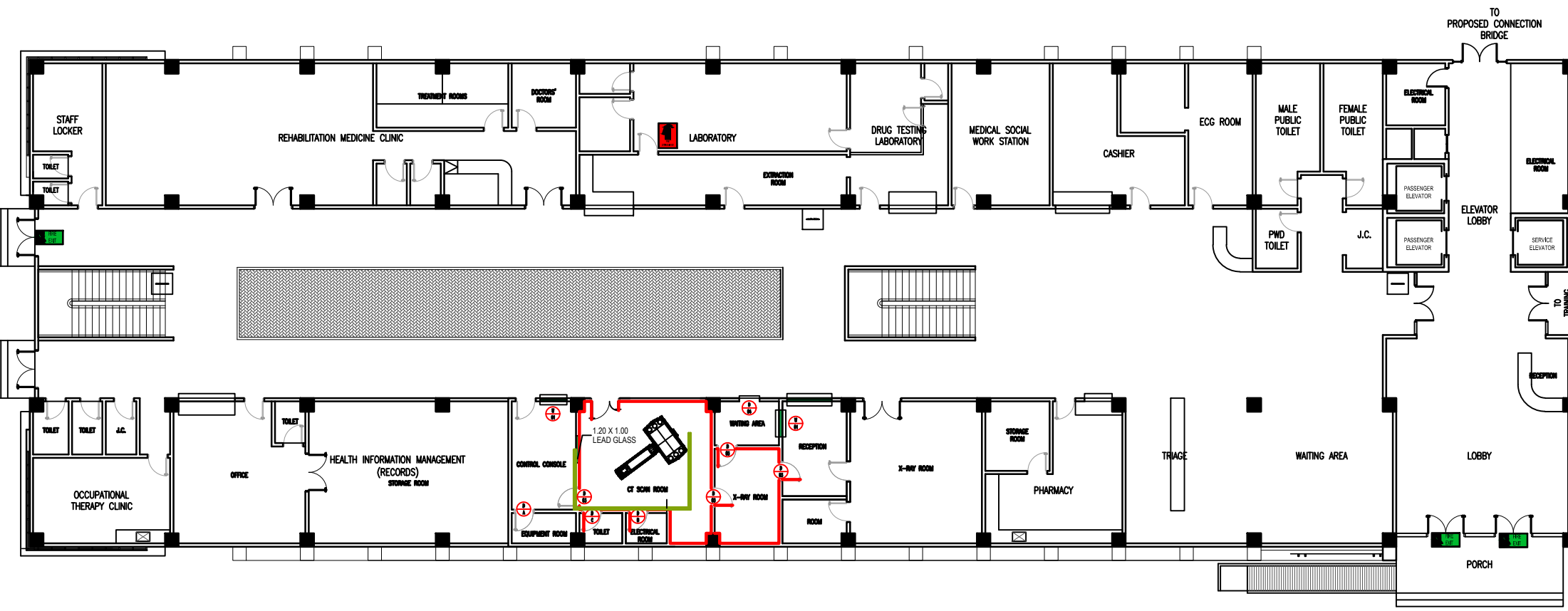
2

# FLOOR PLAN

NOT TO SCALE

- LEAD SHEET
- CABLE RUNWAY


 <p>Republic of the Philippines Center for Health Development No. 2</p> <p><b>REGION II</b> <b>TRAUMA AND MEDICAL CENTER</b> Bayombong, Nueva Vizcaya Philippines 3700 Tel/Fax (078) 850-3560 Tel No. (078) 850-3561-64</p>	<p><b>PREPARED BY</b></p> <p>ENGR. JOHN LESTER G. SAGUIPED</p> <p>COS - CIVIL ENGINEER</p>	<p>RA 9296</p> <p>Drawings and specifications and other contract documents duly signed, stamped or sealed, are instruments of service, are the intellectual property and documents of the architect, whether the object for which they are made is executed or not. It shall be unlawful for any person to duplicate or make copies of said documents for use in the repetition of and for other projects or buildings, whether executed partly or in whole, without the written consent of the architect or author of said documents.</p>	<p><b>PROJECT</b></p> <p>RENOVATION OF OPD RADIOLOGY</p> <p><b>LOCATION</b></p> <p>REGION II TRAUMA AND MEDICAL CENTER</p>	<p><b>END-USER</b></p> <p>MAY JOY N. ROSENDO, MD, DPBR</p> <p>HEAD, RADIOLOGY DEPARTMENT</p>	<p><b>CHECKED BY</b></p> <p>ENGR. CHARLIE G. HERMOSO, JR.</p> <p>ENGINEER III</p>	<p><b>CONCURRED BY</b></p> <p>ENGR. JAMES A. PANGANIBAN</p> <p>ENGINEER IV</p>	<p><b>RECOMMENDING APPROVAL</b></p> <p>EDITHA V. AGUINALDO, MPA, MBA</p> <p>CHIEF ADMINISTRATIVE OFFICER</p>	<p><b>APPROVED</b></p> <p>RAY P. SUANDING, MD, MHA, FPCC, FPCCP</p> <p>MEDICAL CENTER CHIEF II</p>	<p><b>SHEET</b></p> <p>A 2</p> <p>CADD by : Checked by : DATE :</p>
---	--	--	--	--	---	--	--	--	---

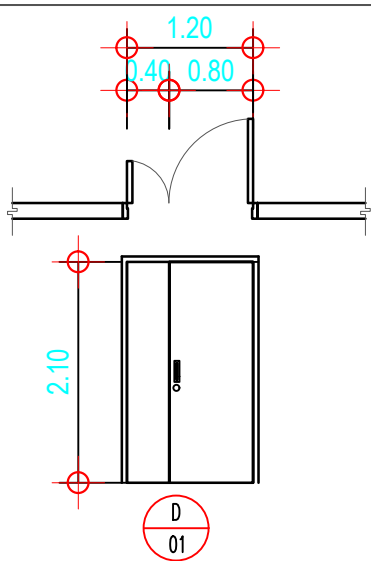


2

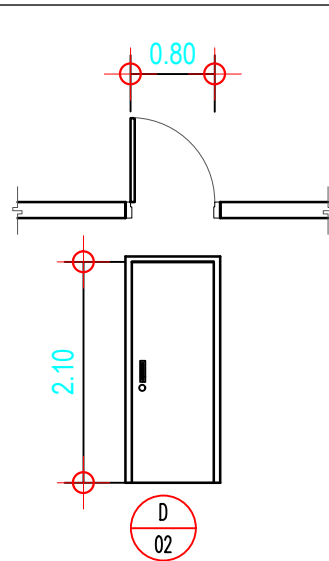
# OPD FLOOR PLAN

NOT TO SCALE

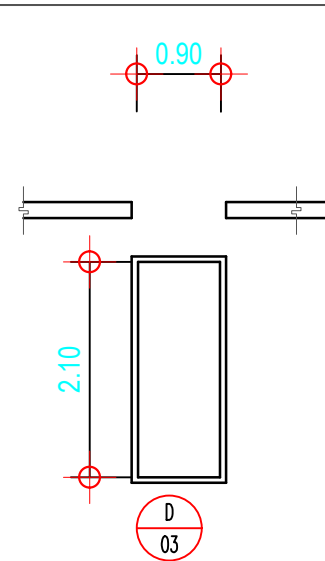
 <p>Republic of the Philippines Center for Health Development No. 1</p> <p><b>REGION II TRAUMA AND MEDICAL CENTER</b> Bayombong, Nueva Vizcaya Philippines 3700 Tel/Fax (078) 850-3560 Tel No. (078) 850-3561-64</p>	<p><b>PREPARED BY</b></p> <p>ENGR. JOHN LESTER G. SAGUIPED</p> <p>COS - CIVIL ENGINEER</p>	<p>RA 9296 Drawings and specifications and other contract documents duly signed, stamped or sealed, the instruments of service, as the intellectual property and documents of the architect, whether the object for which they are made is intended for sale; to check the usefulness for any person to duplicate or make copies of said documents for use in the repetition of and for other projects or buildings, whether executed partly or in whole, without the written consent of the architect or author of said documents.</p>	<p><b>PROJECT</b></p> <p>RENOVATION OF OPD RADIOLOGY</p> <p><b>LOCATION</b></p> <p>REGION II TRAUMA AND MEDICAL CENTER</p>	<p><b>END-USER</b></p> <p>MAY JOY N. ROSENDO, MD, DPBR</p> <p>HEAD, RADIOLOGY DEPARTMENT</p>	<p><b>CHECKED BY</b></p> <p>ENGR. CHARLIE G. HERMOSO, JR.</p> <p>ENGINEER III</p>	<p><b>CONCURRED BY</b></p> <p>ENGR. JAMES A. PANGANIBAN</p> <p>ENGINEER IV</p>	<p><b>RECOMMENDING APPROVAL</b></p> <p>EDITHA V. AGUINALDO, MPA, MBA</p> <p>CHIEF ADMINISTRATIVE OFFICER</p>	<p><b>APPROVED</b></p> <p>RAY P. SUANDING, MD, MHA, FPCC, FPCCP</p> <p>MEDICAL CENTER CHIEF II</p>	<p><b>SHEET</b></p> <p>A 3</p> <p>CADD by : Checked by : DATE :</p>
--	--	---	--	--	---	--	--	--	---



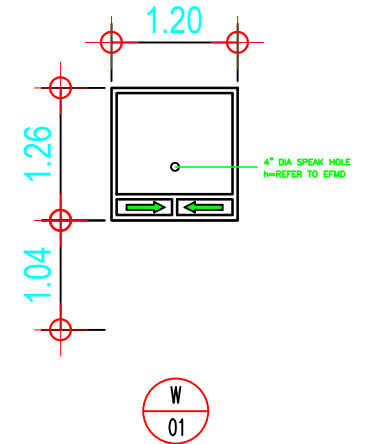
REQUIRED: 1 SET  
 DESCRIPTION: DOUBLE LEAF SWING HOLLOW CORE WOODEN DOOR WITH VIEW WINDOW, WOODEN DOOR JUMP, STAINLESS HANDLE BAR, CYLINDER DEADBOLT LOCKSET AND COMPLETE HARDWARE AND ACCESSORIES (INSTALLED WITH LEAD SHEET)  
 FINISH: DUCO FINISH



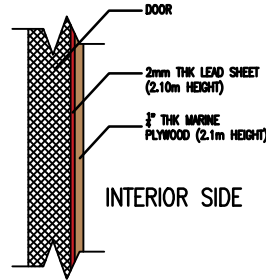
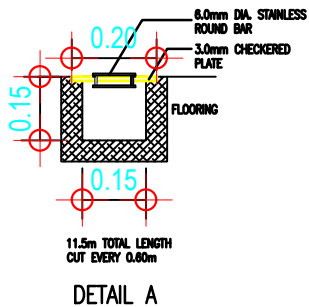
REQUIRED: 4 SET  
 DESCRIPTION: SINGLE LEAF SWING HOLLOW CORE WOODEN DOOR WITH WOODEN DOOR JUMP, STAINLESS HANDLE BAR, CYLINDER DEADBOLT LOCKSET AND COMPLETE HARDWARE AND ACCESSORIES (INSTALLED WITH LEAD SHEET)  
 FINISH: DUCO FINISH



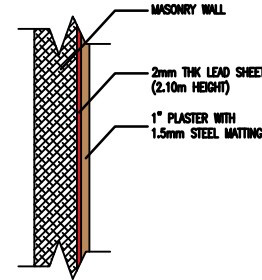
REQUIRED: 1 SET  
 DESCRIPTION: SINGLE LEAF HANGING SLIDING 6mm thk TEMPERED GLASS DOOR WITH POWDER COATED ALUMINUM FRAME AND COMPLETE ACCESSORIES



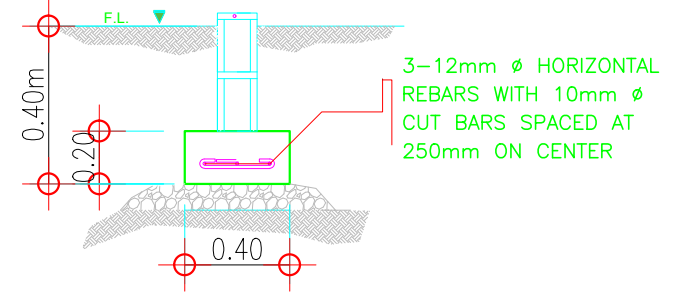
REQUIRED: 2 SET  
 DESCRIPTION: 6mm THH CLEARED TEMPERED GLASS ON POWDER COATED ALUMINUM FRAME WITH TRANSACTION WINDOW AND COMPLETE ACCESSORIES




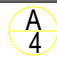
DOORS AND LEAD SHEET  
 DETAIL (ANCHOR WITH  
 FLEX O SEAL ADHESIVE)

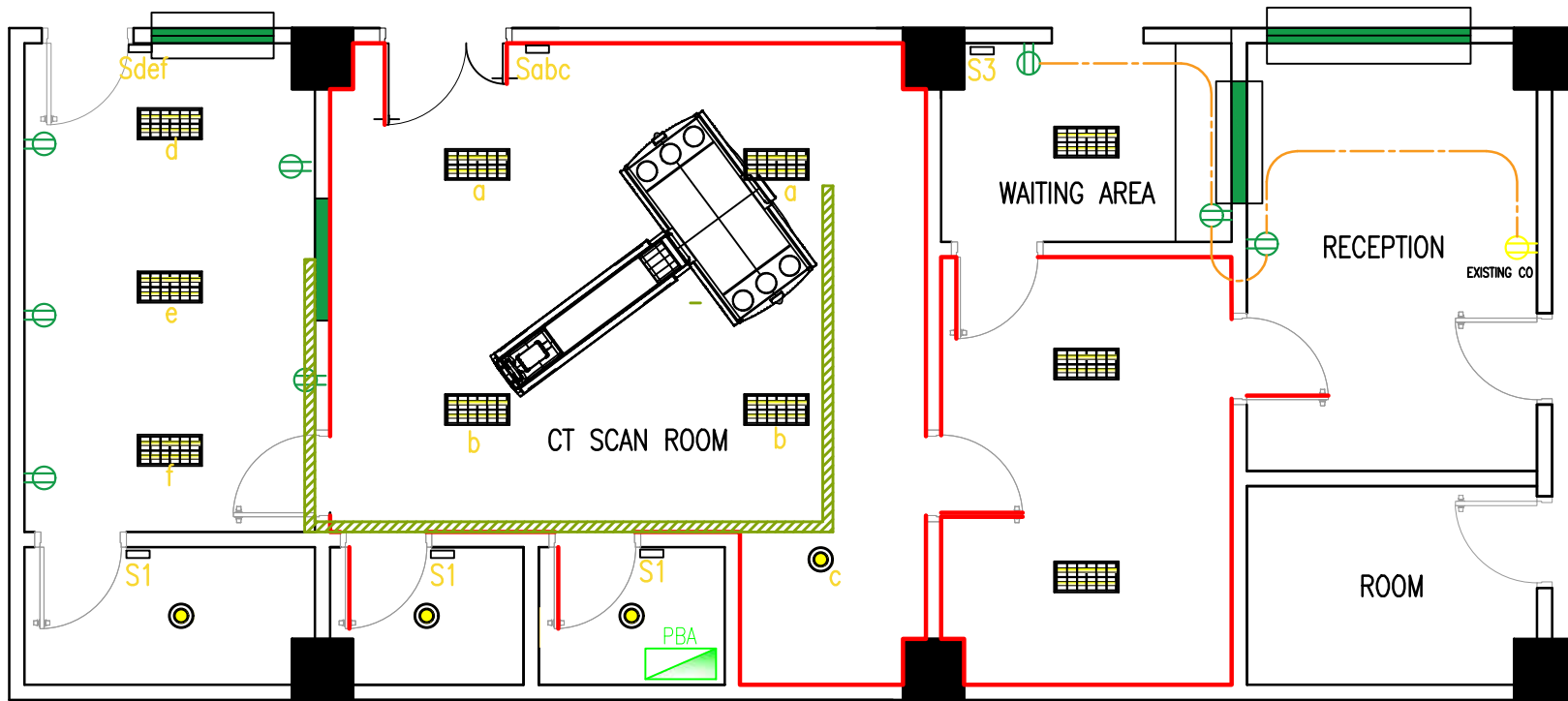


MASONRY WALL AND LEAD  
 SHEET DETAIL (ANCHOR  
 WITH FLEX O SEAL  
 ADHESIVE)



3-12mm Ø HORIZONTAL  
 REBARS WITH 10mm Ø  
 CUT BARS SPACED AT  
 250mm ON CENTER



 Republic of the Philippines Center for Health Development No. 1  <b>REGION II</b> <b>TRAUMA AND MEDICAL CENTER</b> Bayombong, Nueva Vizcaya Philippines 3700 Telfax (078) 850-3560 Tel Nos. (078) 850-3561-64	<b>PREPARED BY</b> ENGR. JOHN LESTER G. SAGUIPED COS - CIVIL ENGINEER	<small>RA 9296</small> <small>Designs and specifications and other contract documents duly signed, stamped or sealed, are instruments of service, are the intellectual property and documents of the architect, whether the object for which they are made is executed or not. It shall be unlawful for any person to duplicate or make copies of said documents for use in the repetition of and for other projects or buildings, whether executed partly or in whole, without the written consent of the architect or author of said documents.</small>	<b>PROJECT</b> RENOVATION OF OPD RADIOLOGY  <b>LOCATION</b> REGION II TRAUMA AND MEDICAL CENTER	<b>END-USER</b> MAY JOY N. ROSENDO, MD, DPBR  HEAD, RADIOLOGY DEPARTMENT	<b>CHECKED BY</b> ENGR. CHARLIE G. HERMOSO, JR.  ENGINEER III	<b>CONCURRED BY</b> ENGR. JAMES A. PANGANIBAN  ENGINEER IV	<b>RECOMMENDING APPROVAL</b> EDITHA V. AGUIBALDO, MPA, MBA  CHIEF ADMINISTRATIVE OFFICER	<b>APPROVED</b> RAY P. SUANDING, MD, MHA, FPCC, FPCCP  MEDICAL CENTER CHIEF II	<b>SHEET</b>  <small>CADD by :          Checked by :          DATE :</small>
--	---	--	---	---	--	---	---	---	---

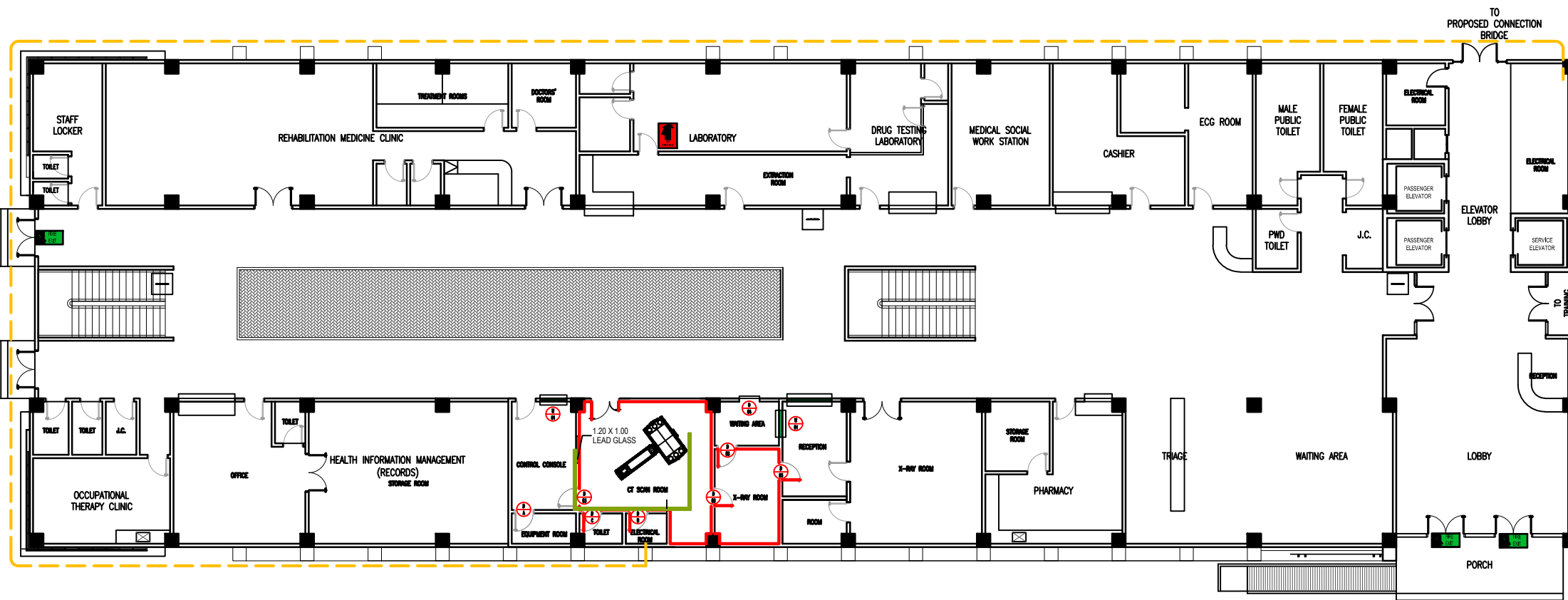


# 1 ELECTRICAL PLAN

NOT TO SCALE

- SCOPE OF ELECTRICAL WORKS**
1. REPLACEMENT AND RELOCATION OF EXISTING LED BULB WITH 9-SETS OF 12X24 INCH DUST PROOF FLUORESCENT LAMP WITH 2-9WATTS DL LED TUBE
  2. INSTALLATION OF 2-SETS 3-GANG SWITCH AND 3-SETS 1-GANG SWITCH
  3. INSTALLATION ADDITIONAL 4 SETS OF 4" DOWN LIGHT SURFACE MOUNTED W/ GLASS COVER AND W/10 WATTS LED BULB
  4. TRANSFERRING OF THE 2 ACU OUTLETS
  5. REMOVAL OF THE 4 CONVENIENCE OUTLET
  6. INSTALLATION OF ADDITIONAL 8PCS. 2 GANG CONVENIENCE OUTLET, UNIVERSAL TYPE 3PRONG
  7. PROVISION OF FLUSH MOUNTED PANEL BOARD WITH A MAIN PROTECTION RATED 3P-250AMP THQD, 230V
  8. INSTALLATION OF FEEDER LINE THAT CONNECTS THE 250AMP PANEL BOARD TO THE MDP OF TRAINING BUILDING
  9. TRANSFERRING OF THE TELEPHONE AND DATA OUTLET TO THE CONTROL ROOM


 <p style="font-size: 8px;">Republic of the Philippines Center for Health Development No. 1</p> <p style="font-weight: bold; font-size: 10px;">REGION II TRAUMA AND MEDICAL CENTER</p> <p style="font-size: 8px;">Bayombong, Nueva Vizcaya Philippines 3700 Telephone (078) 855-3560 Tel Fax (078) 855-3561-64</p>	<b>PREPARED BY</b>	RA 9296 Drawings and specifications and other contract documents duly signed, stamped or sealed, are instruments of service, are the intellectual property and documents of the architect, whether the object for which they are made is cancelled or not. It shall be unlawful for any person to duplicate or make copies of said documents for use in the repetition of and for other projects or buildings, whether executed partly or in whole, without the written consent of the architect or author of said documents.	<b>PROJECT</b>	<b>END-USER</b>	<b>CHECKED BY</b>	<b>CONCURRED BY</b>	<b>RECOMMENDING APPROVAL</b>	<b>APPROVED</b>		
	ENGR. JOJO C. MARIANO		RENOVATION OF OPD RADIOLOGY	MAY JOY N. ROSENDO, MD, DPBR	ENGR. CHARLIE G. HERMOSO, JR.	ENGR. JAMES A. PANGANIBAN	EDITHA V. AGUINALDO, MPA, MBA	RAY P. SUANDING, MD, MHA, FPCCP, FPCCP	CHIEF ADMINISTRATIVE OFFICER	MEDICAL CENTER CHIEF II
	ELECTRICAL ENGINEER - CONSULTANT		LOCATION REGION II TRAUMA AND MEDICAL CENTER	HEAD, RADIOLOGY DEPARTMENT	ENGINEER III	ENGINEER IV	CHIEF ADMINISTRATIVE OFFICER	MEDICAL CENTER CHIEF II	DATE :	



2

# MAIN FEEDER LINE

NOT TO SCALE

 <p>Republic of the Philippines Center for Health Development No. 1</p> <p><b>REGION II TRAUMA AND MEDICAL CENTER</b> Bayombong, Nueva Vizcaya Philippines 3700 Tel/Fax: (078) 850-3560 Tel No: (078) 850-3561-64</p>	<p><b>PREPARED BY</b></p> <p>ENGR. JOHN LESTER G. SAGUIPED</p> <p>COS - CIVIL ENGINEER</p>	<p>RA 9296 Drawings and specifications and other contract documents duly signed, stamped or sealed, are instruments of service, are the intellectual property and documents of the architect, whether the object for which they are made is intended for sale. It shall be unlawful for any person to duplicate or make copies of said documents for use in the repetition of and for other projects or buildings, whether associated party or in whole, without the written consent of the architect or author of said documents.</p>	<p><b>PROJECT</b></p> <p>RENOVATION OF OPD RADIOLOGY</p> <p><b>LOCATION</b></p> <p>REGION II TRAUMA AND MEDICAL CENTER</p>	<p><b>END-USER</b></p> <p>MAY JOY N. ROSENDO, MD, DPBR</p> <p>HEAD, RADIOLOGY DEPARTMENT</p>	<p><b>CHECKED BY</b></p> <p>ENGR. CHARLIE G. HERMOSO, JR.</p> <p>ENGINEER III</p>	<p><b>CONCURRED BY</b></p> <p>ENGR. JAMES A. PANGANIBAN</p> <p>ENGINEER IV</p>	<p><b>RECOMMENDING APPROVAL</b></p> <p>EDITHA V. AGUINALDO, MPA, MBA</p> <p>CHIEF ADMINISTRATIVE OFFICER</p>	<p><b>APPROVED</b></p> <p>RAY P. SUANDING, MD, MHA, FPCC, FPCCP</p> <p>MEDICAL CENTER CHIEF II</p>	<p><b>SHEET</b></p> <p>A 3</p> <p>CADD by : Checked by : DATE :</p>
---	--	--	--	--	---	--	--	--	---